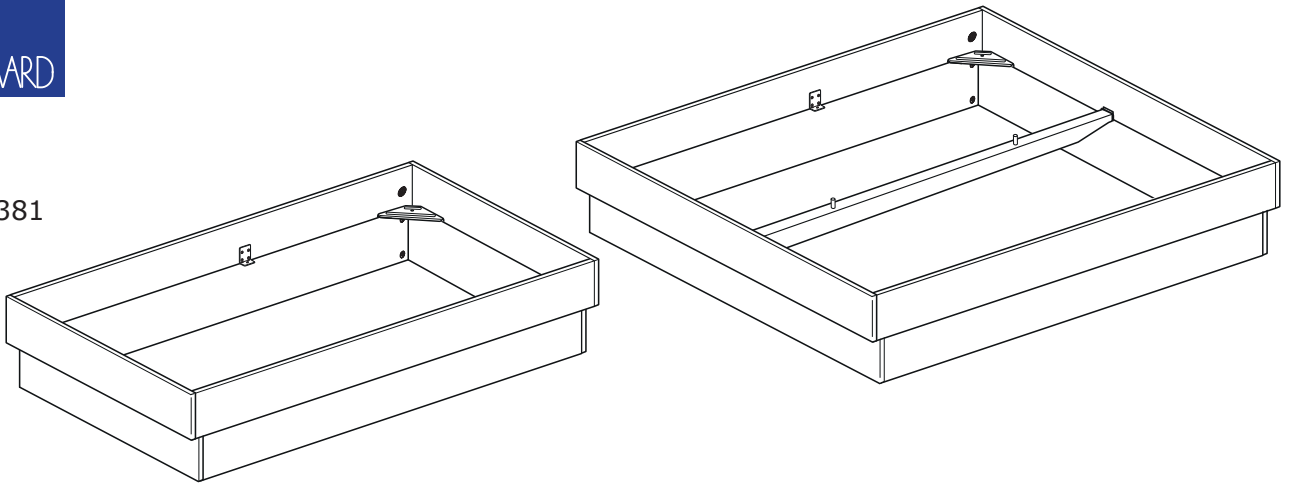


Model 381



Ax4



Bx4



Cx8



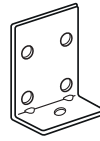
Dx16



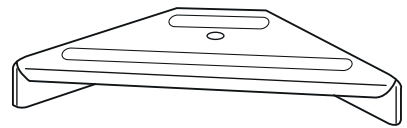
Ex8



Fx8



Gx2



Hx4

