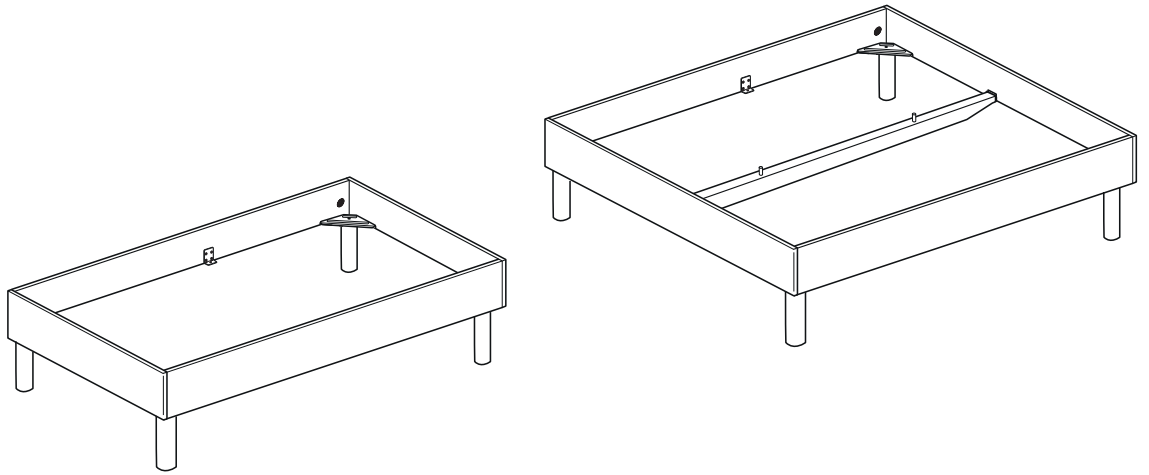


Model 380



Ax4



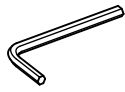
Bx4



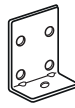
Cx8



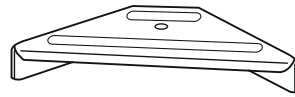
Dx16



E



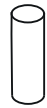
Fx2



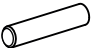
Gx4



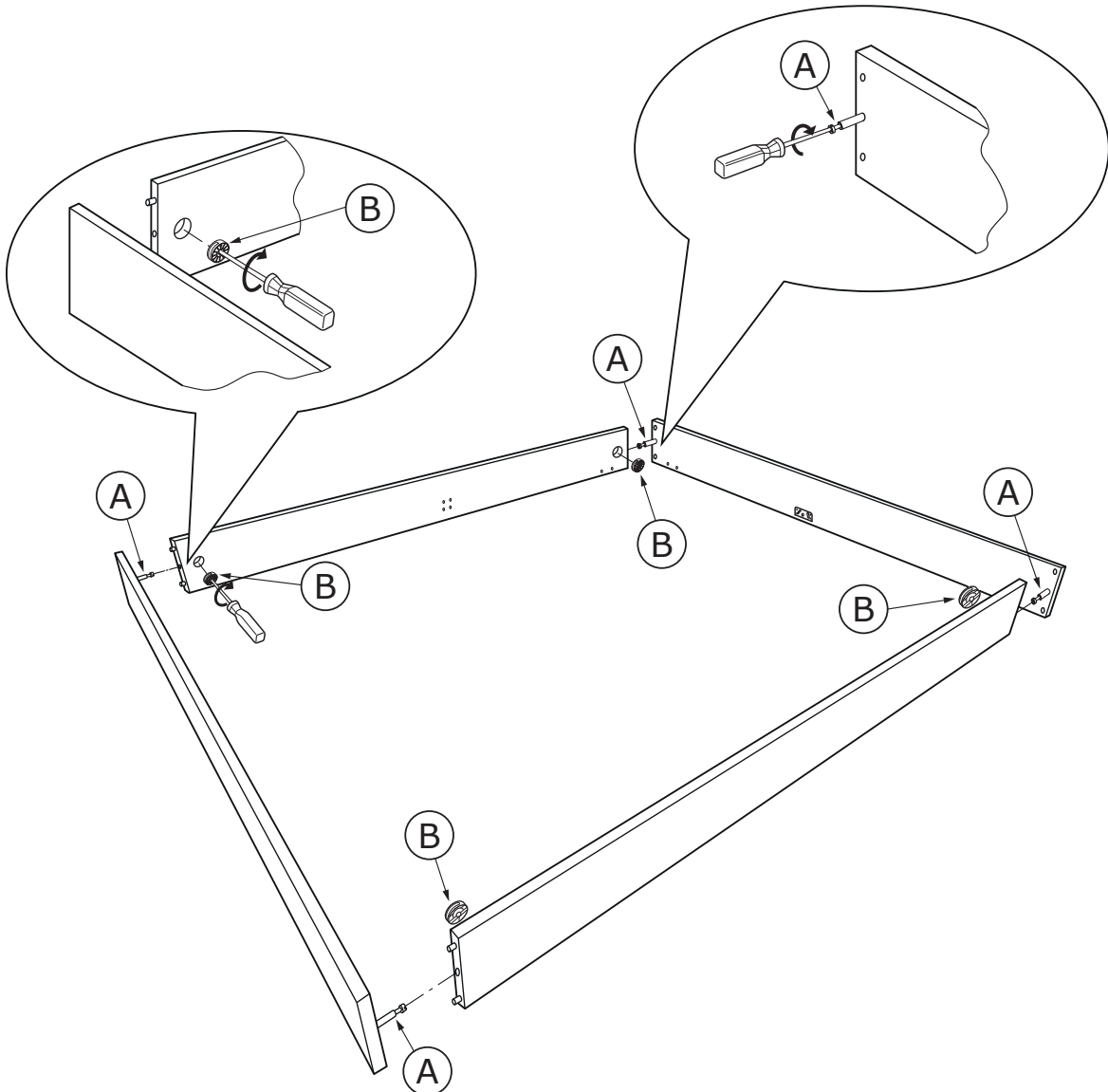
Hx4



Ix4



Jx2



Model 380

